

DRIZZLE

7637 Southeast 27th Street
Mercer Island, WA

Sign Item

1/2

Project ID

INV-21558

Date: 09/2025

Sales: C. SHIPLEY

Designer: D. BURKS

Electrical

120V NONE
 Other _____

REVISION NOTES

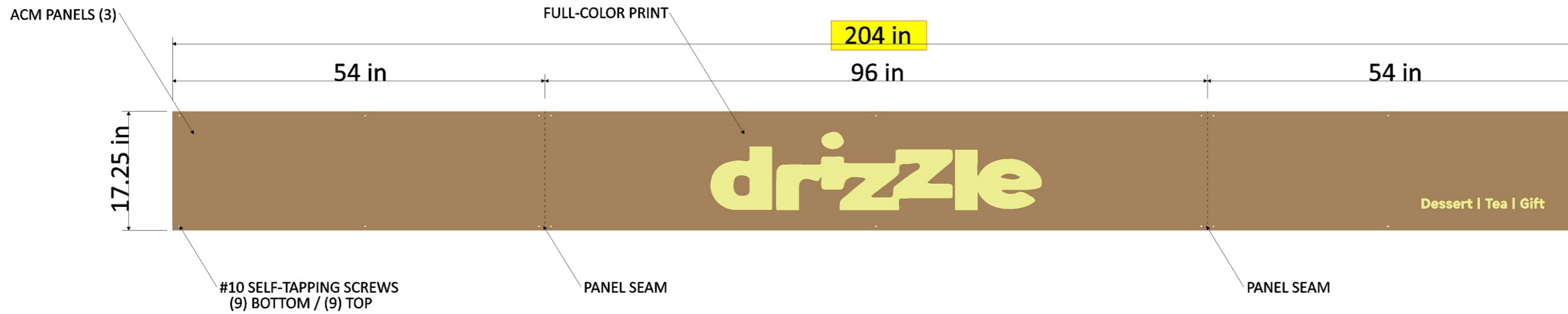
Rev. #: 1
Date: 11/21/25

OVERALL SIZE OF SIGN DECREASED FOR COMPLIANCE.

DISCLAIMER

It is the customer's responsibility to ensure that the structure of the building is designed and constructed to accept the installation of the signs being ordered. Please ask Signarama Redmond to provide further details if required.

ALL RIGHTS RESERVED. The artwork depicted herein are copyright and are the exclusive property of Signarama, Redmond and as such cannot be reproduced in whole or in part without written permission by Signarama Redmond.

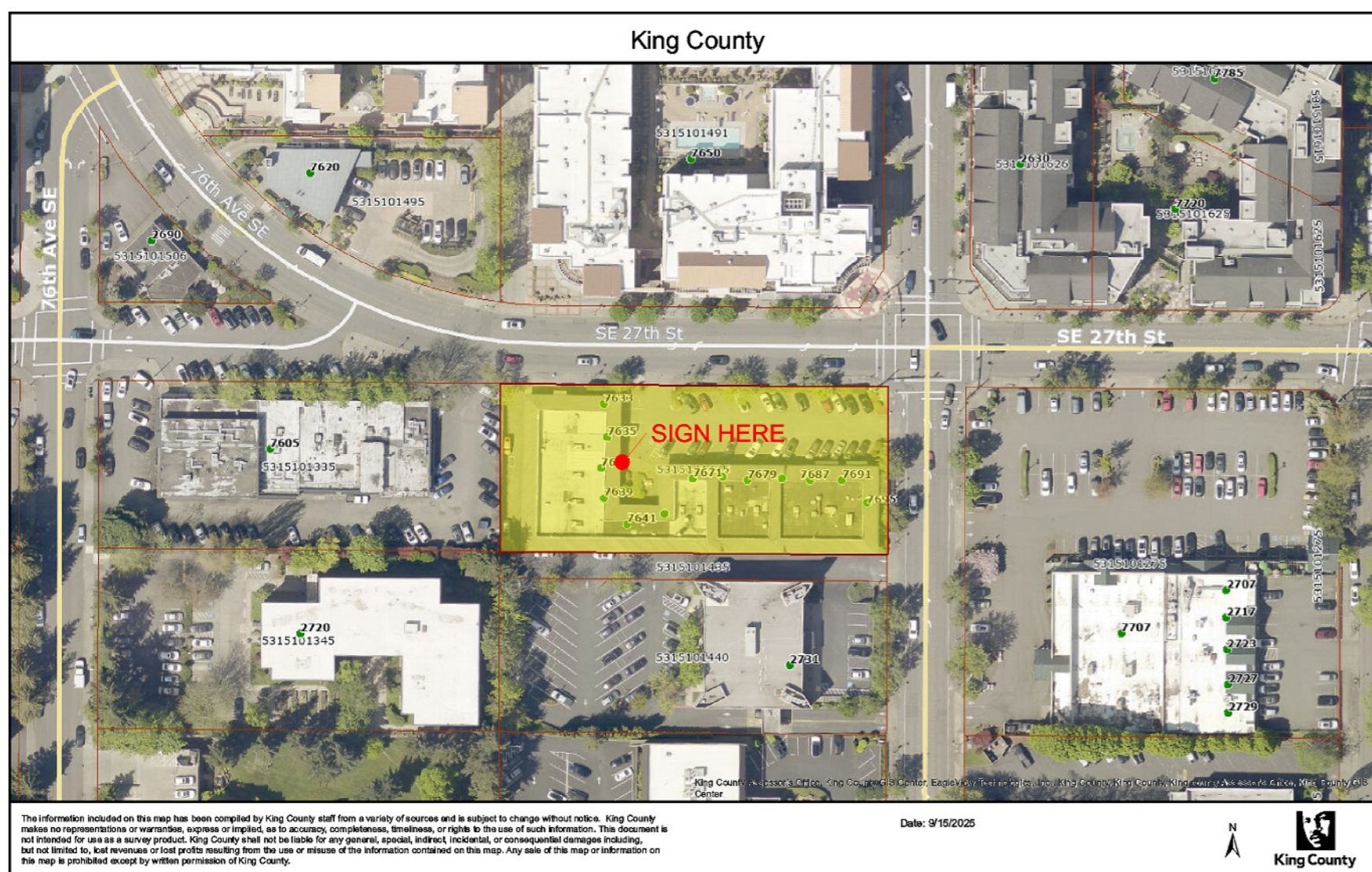


1 FRONT VIEW: FABRICATE AND INSTALL (1) NON-ILLUMINATED FLAT PANEL ACM SIGN FULL-COLOR DIGITAL PRINT W/ UV-SHIELD LAMINATION APPLIED

PROPOSED SQ.FT. = 24.43

WEIGHT = 23 LBS

LOCATION



PROPOSED EXAMPLE



Customer Approval

IMPORTANT

YOUR SIGNED APPROVAL CONFIRMS THAT ALL CONTENT IS CORRECT. PROOFS ARE NOT FOR COLOR MATCHING. IF EXACT COLOR MATCH IS REQUIRED, PLEASE SPEAK WITH YOUR SALES REP FOR PANTONE MATCHING. ADDITIONAL CHARGES MAY APPLY.

Signature _____
MM/DD/YYYY

ONCE APPROVAL HAS BEEN RECEIVED, CLIENT WILL BE HELD FINANCIALLY RESPONSIBLE FOR ANY ADDITIONAL CHANGES OR ADJUSTMENTS FROM THE APPROVED PROOF.

Signarama
Redmond, WA

8531 154th Ave. NE, STE. 130, Redmond, WA.
Phone (425) 861-9341
sharonkhoo@signarama-redmond.com

DRIZZLE

7637 Southeast 27th Street
Mercer Island, WA

Sign Item

2/2

Project ID

EST-21558

Date: 08/2025

Sales: C. SHIPLEY

Designer: D. BURKS

Electrical

120V NONE
 Other _____

REVISION NOTES

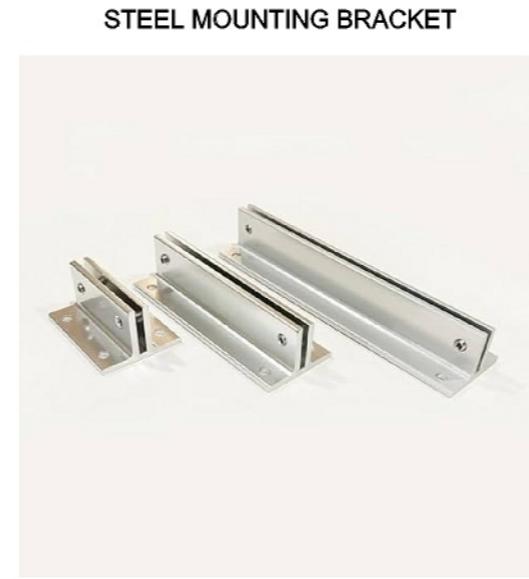
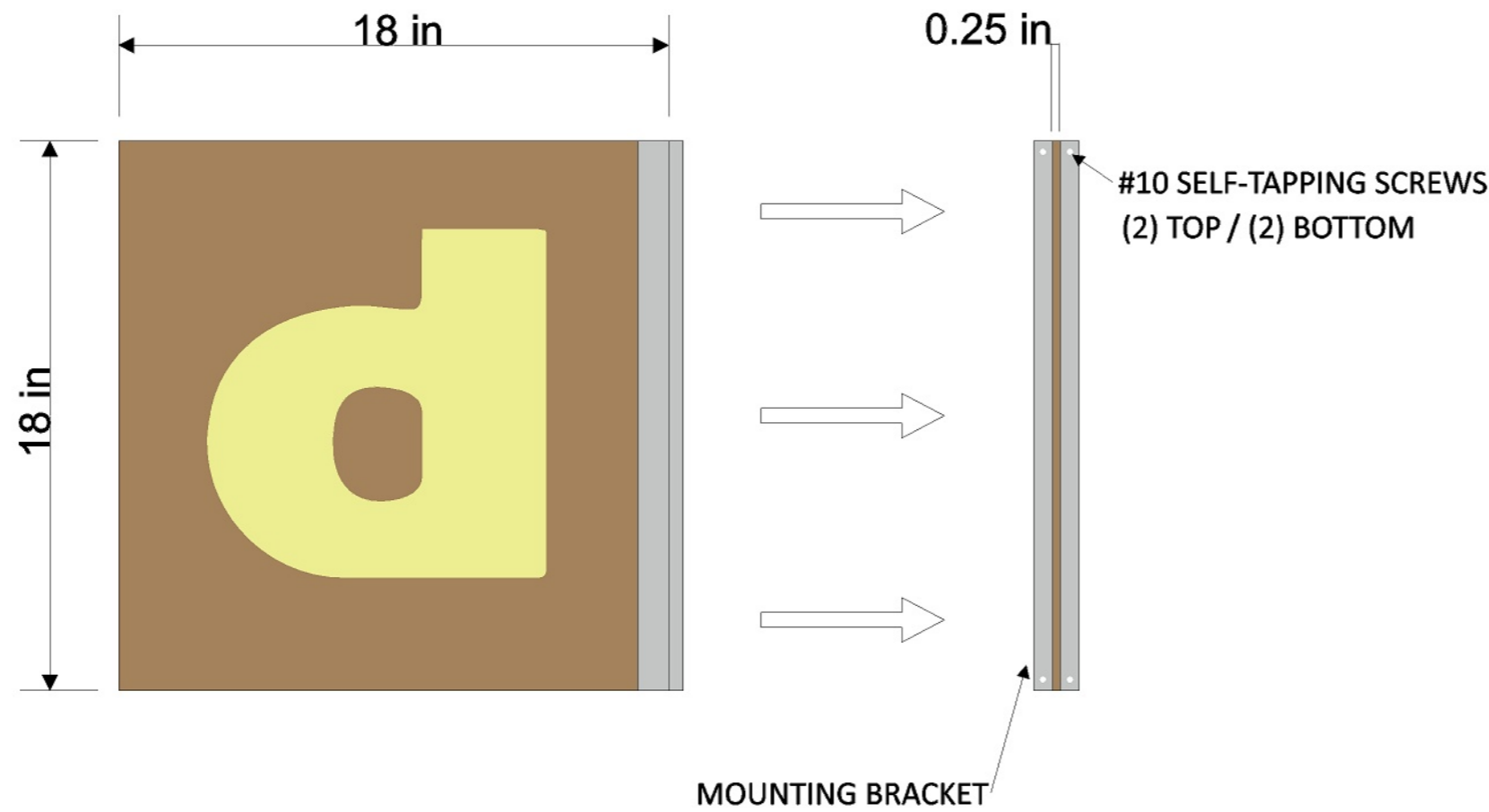
Rev. #: 1
Date: 11/17/25

ADDED HEIGHT MEASUREMENTS FROM GROUND TO BOTTOM OF SIGN.

DISCLAIMER

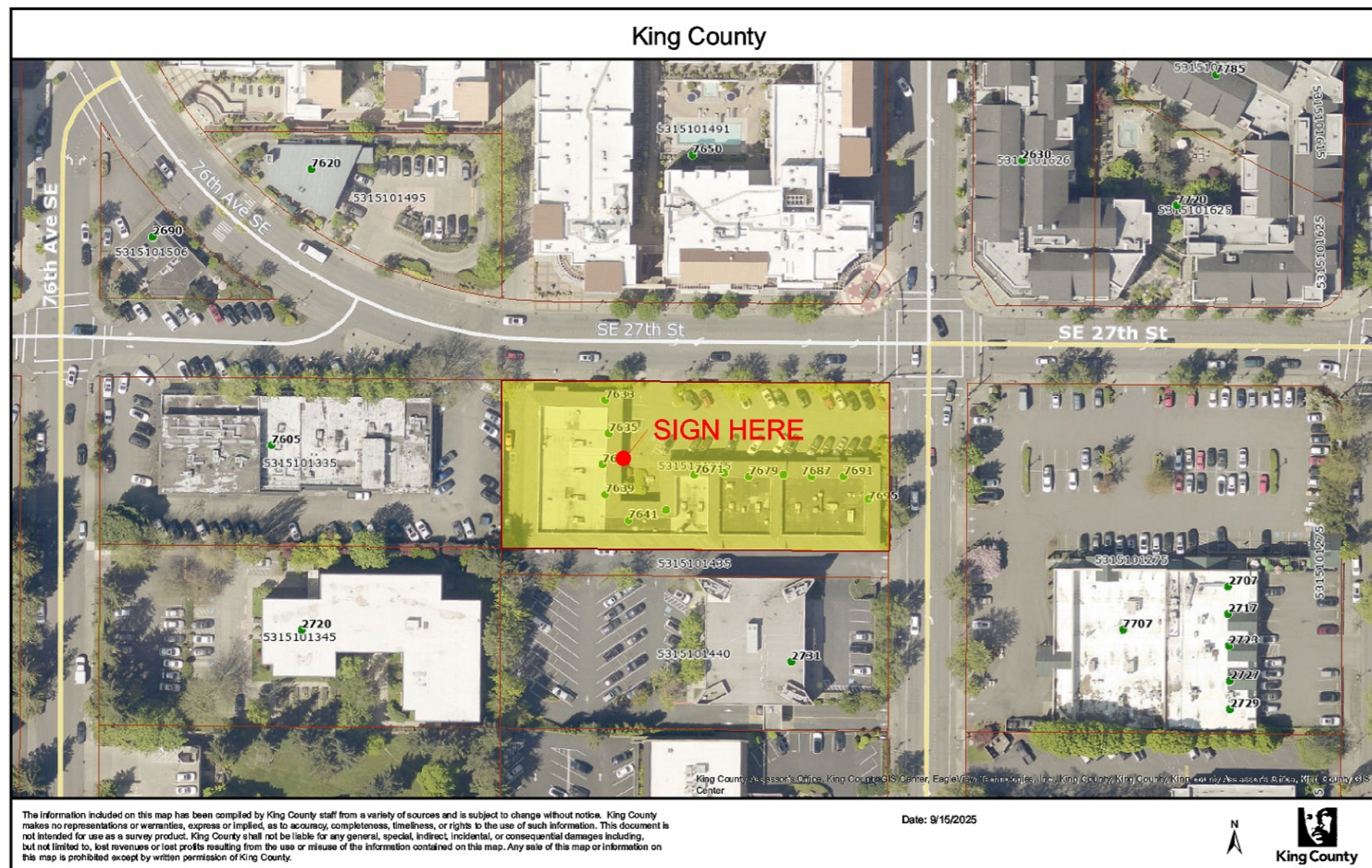
It is the customer's responsibility to ensure that the structure of the building is designed and constructed to accept the installation of the signs being ordered. Please ask Signarama Redmond to provide further details if required.

ALL RIGHTS RESERVED. The artwork depicted herein are copyright and are the exclusive property of Signarama, Redmond and as such cannot be reproduced in whole or in part without written permission by Signarama Redmond.



1 FRONT VIEW: FABRICATE AND INSTALL (1) D/S NON-ILLUMINATED ACM BLADE SIGN W/ BRACKET PROPOSED SQ.FT. = 2.25
WEIGHT = 3 LBS

LOCATION



Proposed Example



Customer Approval

IMPORTANT

Signature _____

MM/DD/YYYY _____

ONCE APPROVAL HAS BEEN RECEIVED, CLIENT WILL BE HELD FINANCIALLY RESPONSIBLE FOR ANY ADDITIONAL CHANGES OR ADJUSTMENTS FROM THE APPROVED PROOF.

YOUR SIGNED APPROVAL CONFIRMS THAT ALL CONTENT IS CORRECT. PROOFS ARE NOT FOR COLOR MATCHING. IF EXACT COLOR MATCH IS REQUIRED, PLEASE SPEAK WITH YOUR SALES REP FOR PANTONE MATCHING. ADDITIONAL CHARGES MAY APPLY.

Signarama
Redmond, WA

8531 154th Ave. NE, STE. 130, Redmond, WA.
Phone (425) 861-9341
sharonkhoo@signarama-redmond.com